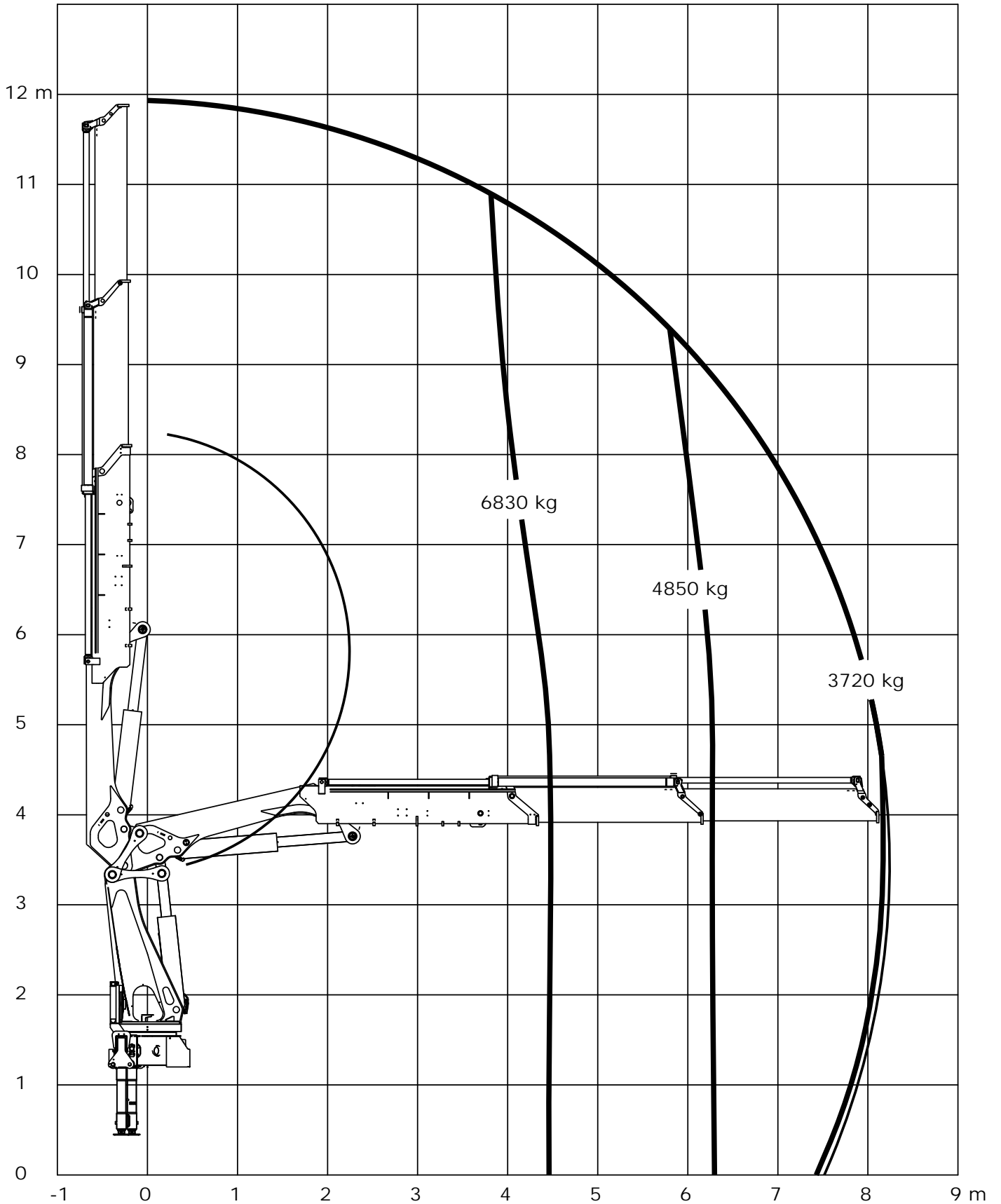


Technical Information 3220-K



Lifting capacity diagram, K2

Catalogue no.	Section
31 098	322
Date	Page
14-08-2012	1 (1)

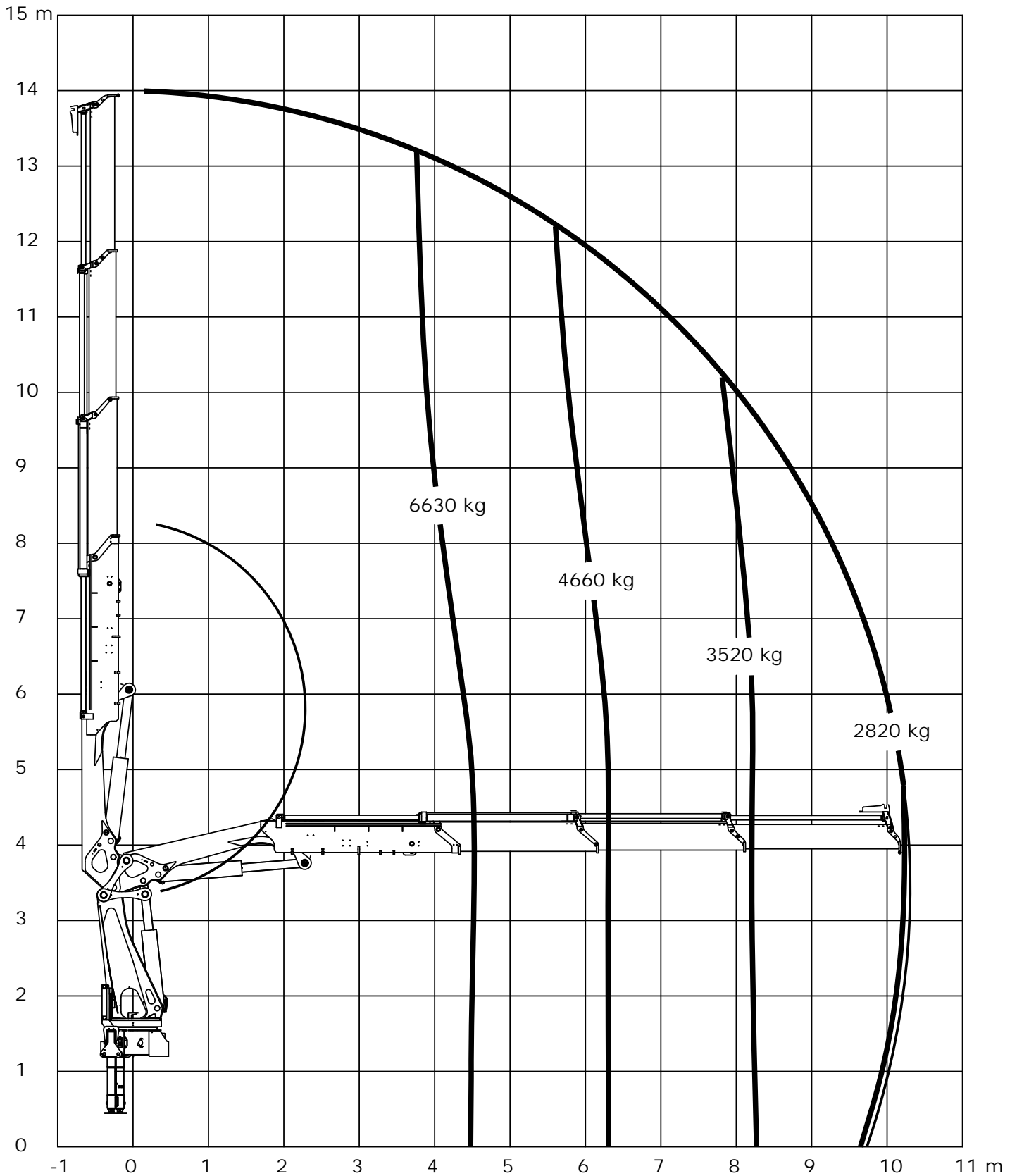


Loading group: EN12999 H1/B3



Lifting capacity diagram, K3

Catalogue no.	Section
31 098	323
Date	Page
14-08-2012	1 (1)

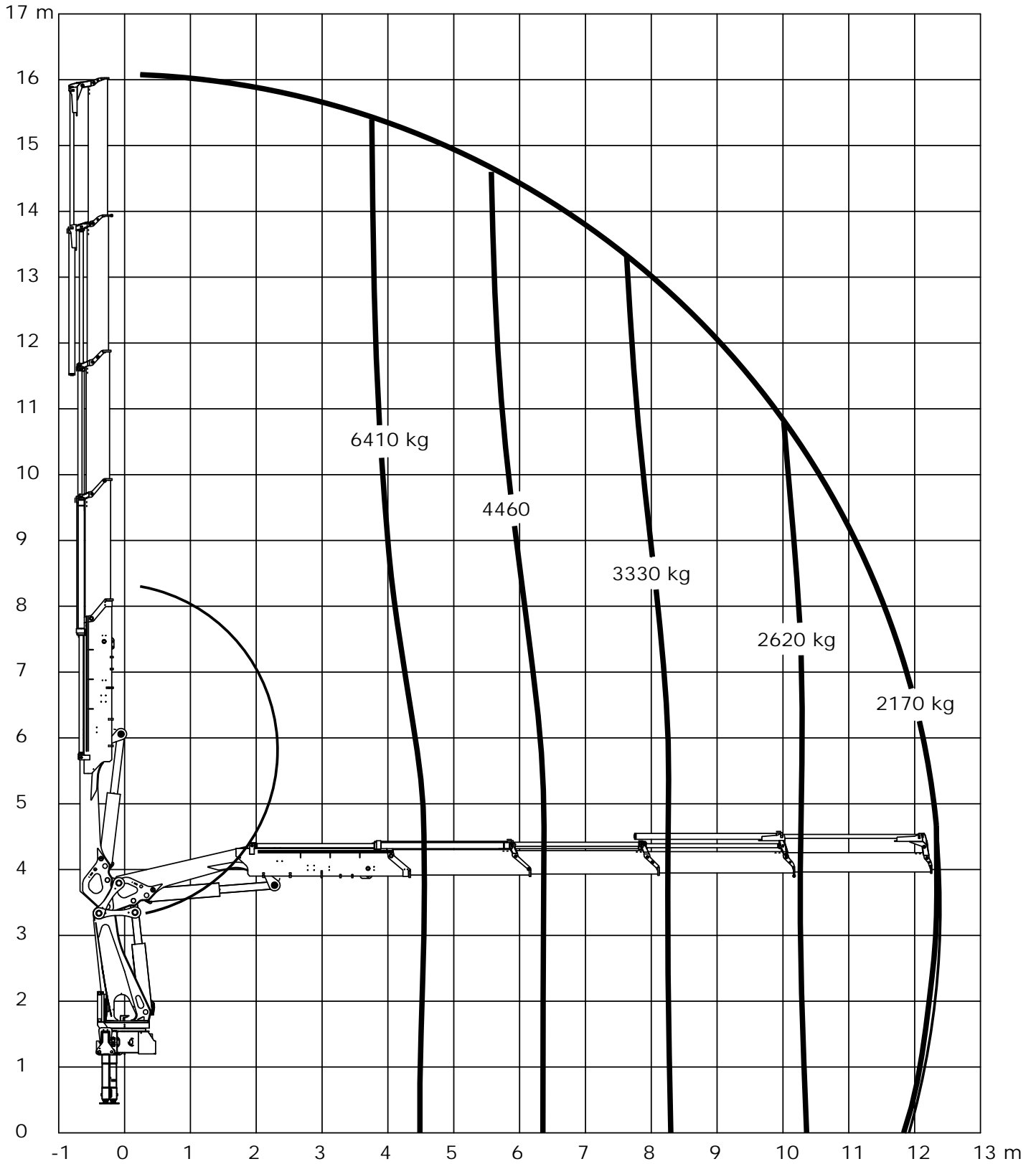


Loading group: EN12999 H1/B3



Lifting capacity diagram, K4

Catalogue no.	31 098	Section	324
Date	14-08-2012	Page	1 (1)

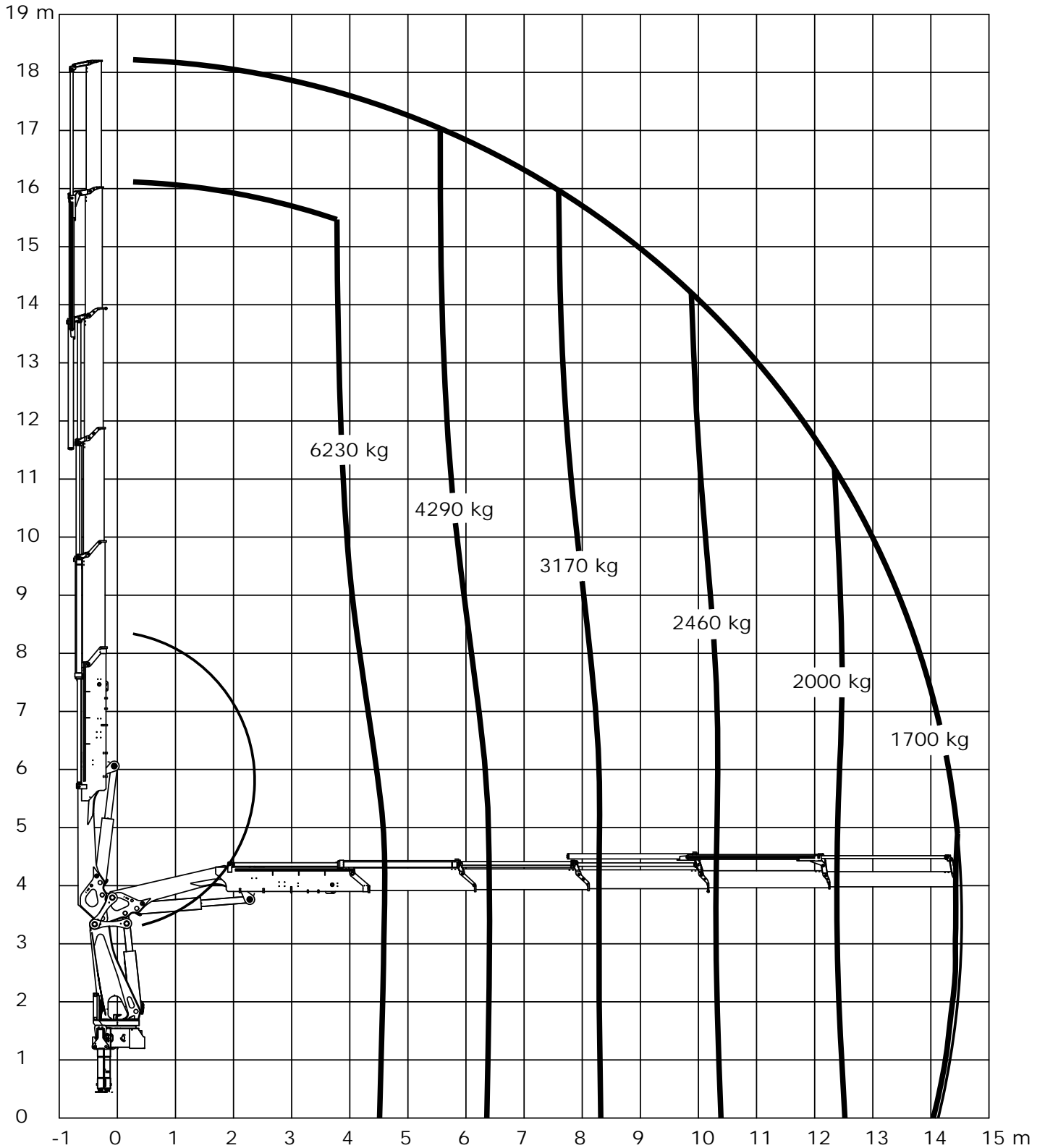


Loading group: EN12999 H1/B3



Lifting capacity diagram, K5

Catalogue no.	Section
31 098	325
Date	Page
14-08-2012	1 (1)

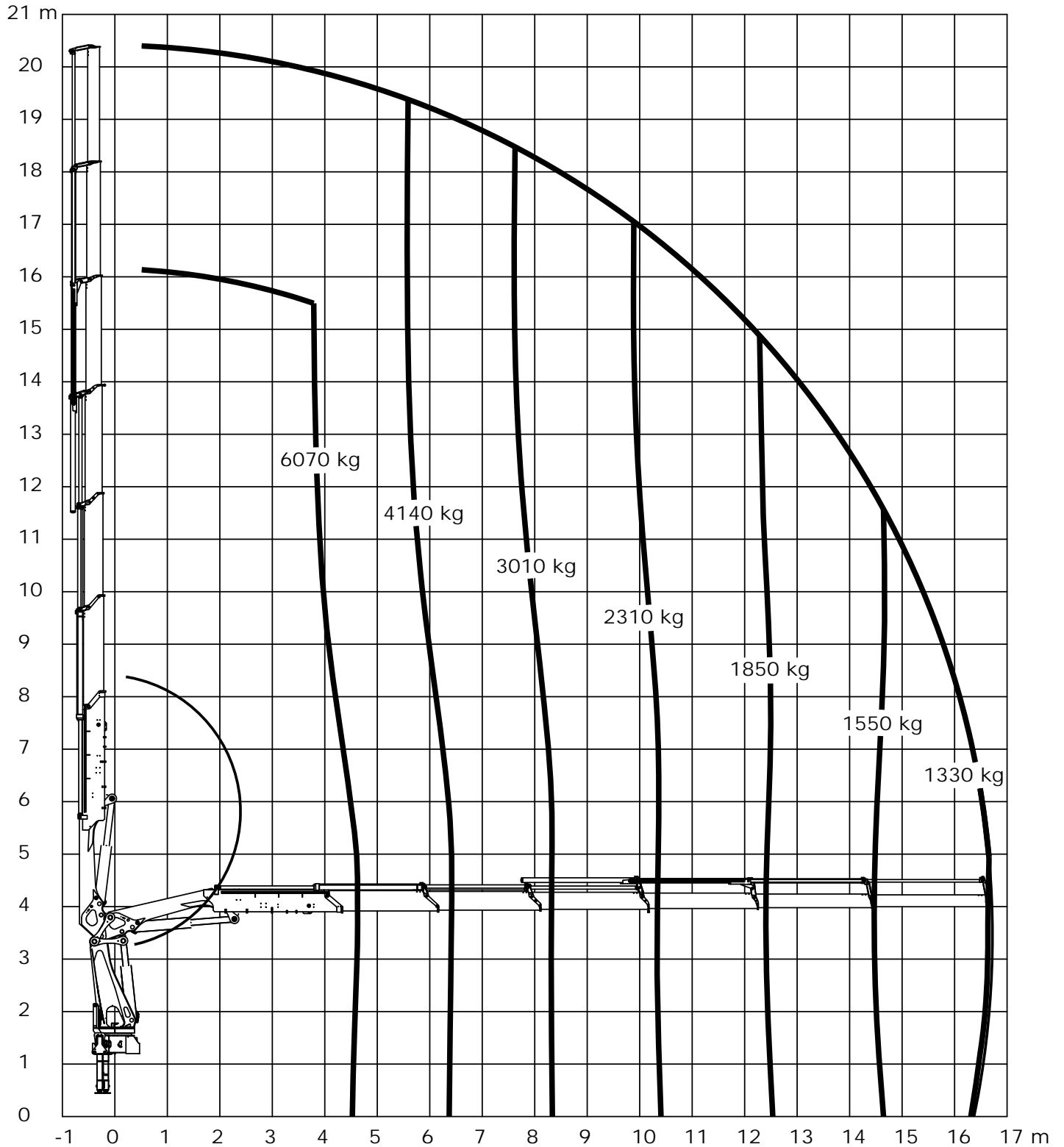


Loading group: EN12999 H1/B3



Lifting capacity diagram, K6

Catalogue no.	Section
31 098	326
Date	Page
14-08-2012	1 (1)

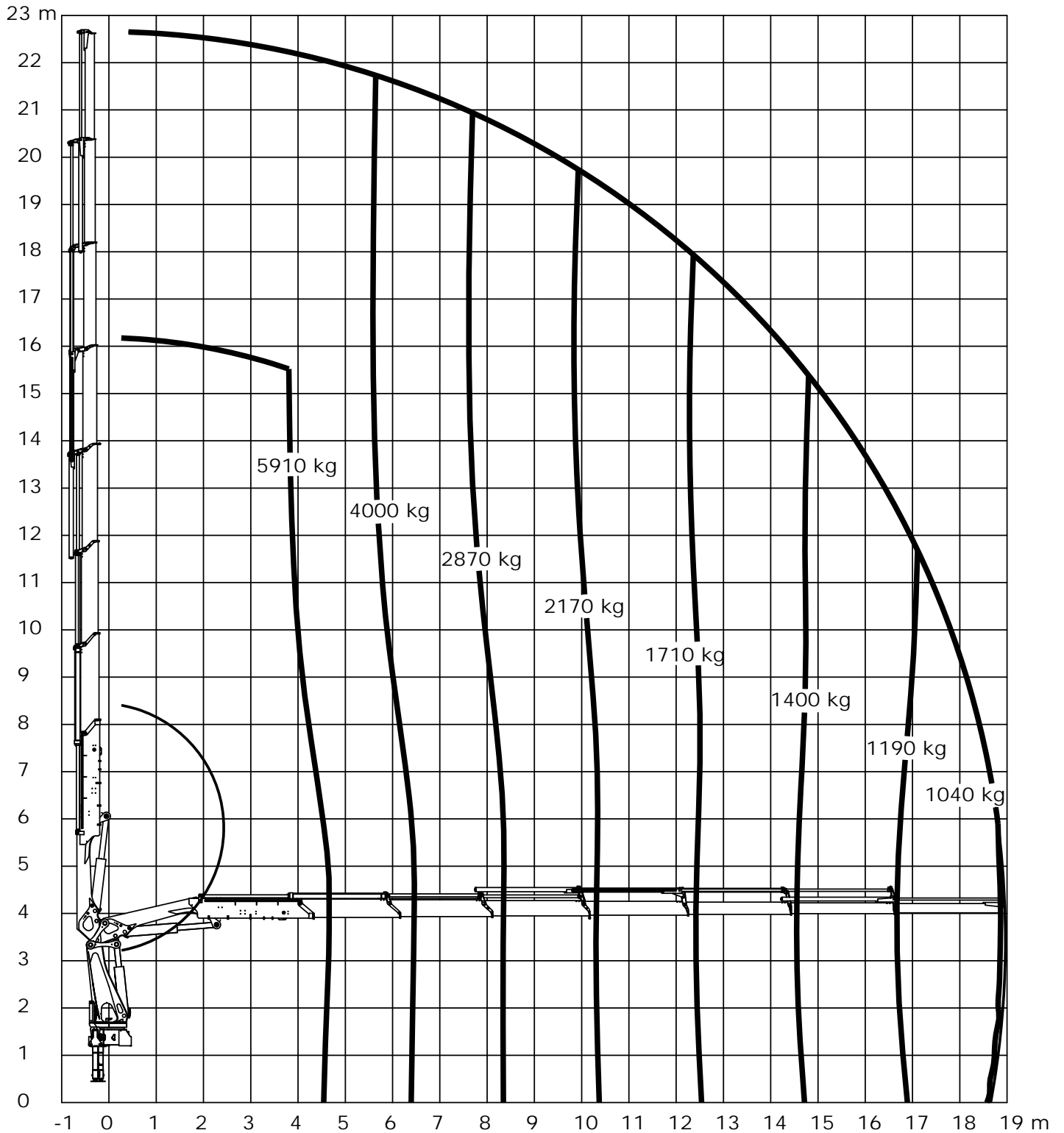


Loading group: EN12999 H1/B3



Lifting capacity diagram, K7

Catalogue no.	Section
31 098	327
Date	Page
14-08-2012	1 (1)

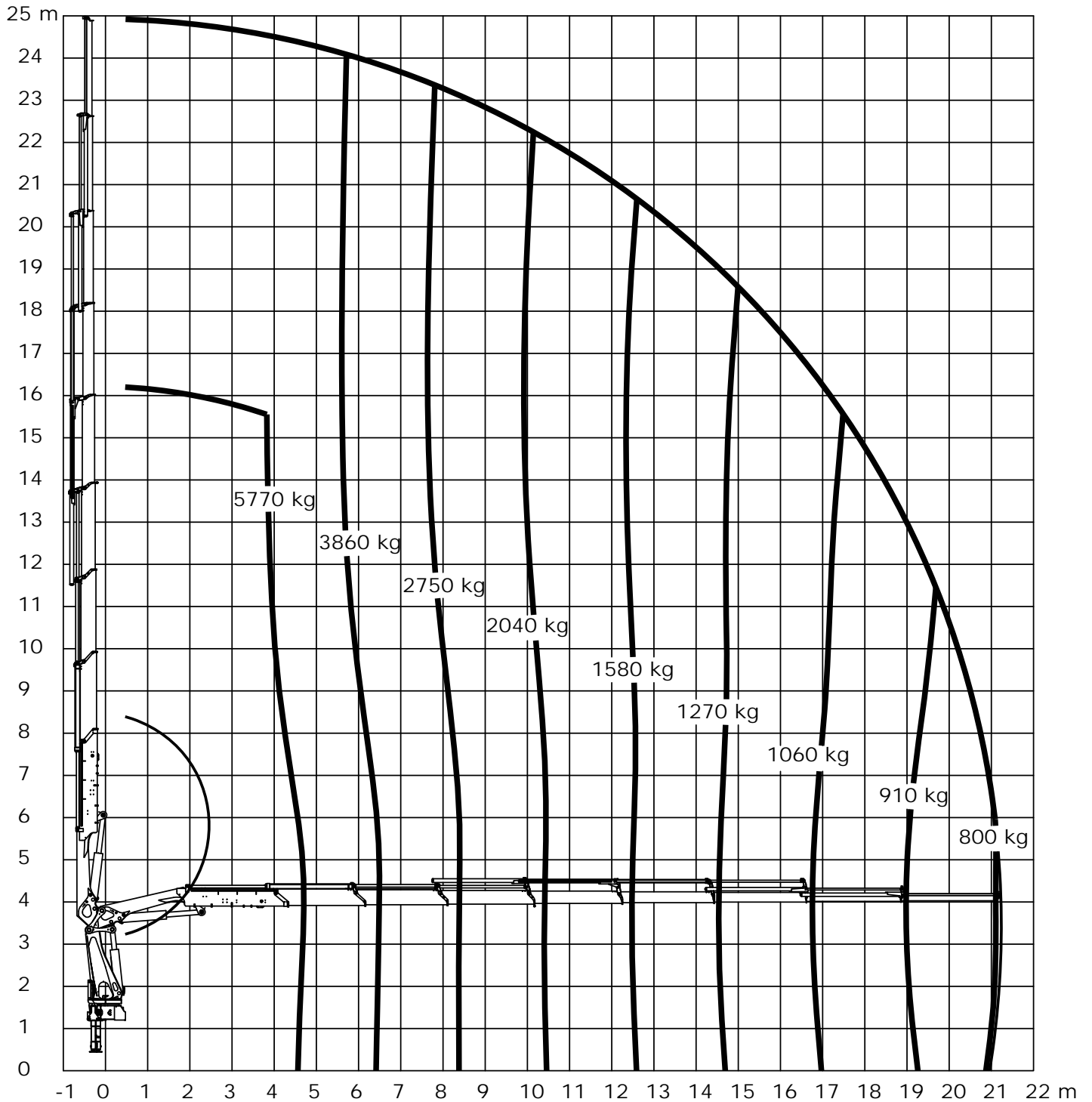


Loading group: EN12999 H1/B3



Lifting capacity diagram, K8

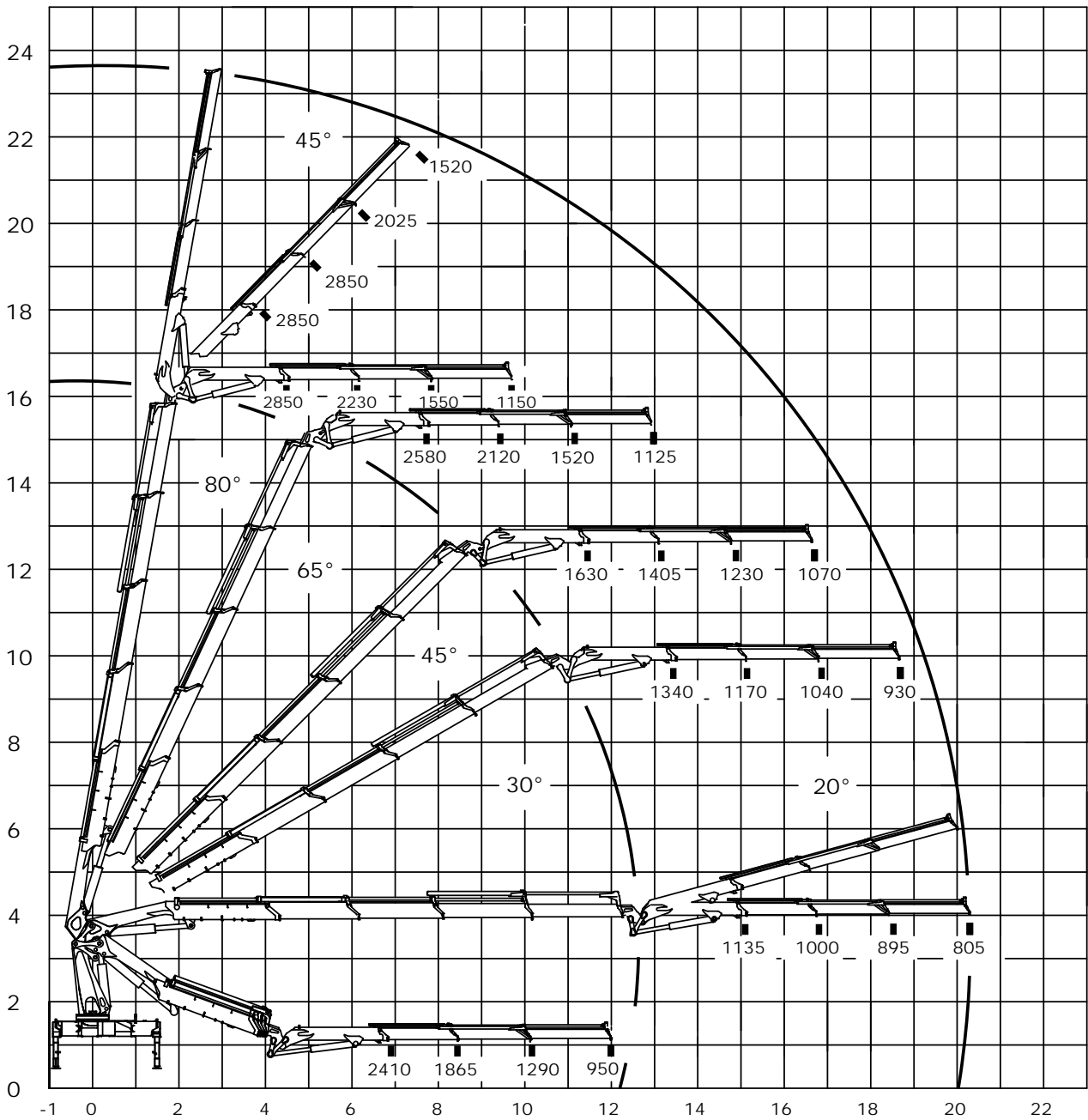
Catalogue no.	Section
31 098	328
Date	Page
14-08-2012	1 (1)



Loading group: EN12999 H1/B3

Lifting capacity diagram, 3220-K4 with FJ1000 K3

Catalogue no.	Section
31 098	351
Date	Page
02-06-2014	1 (1)



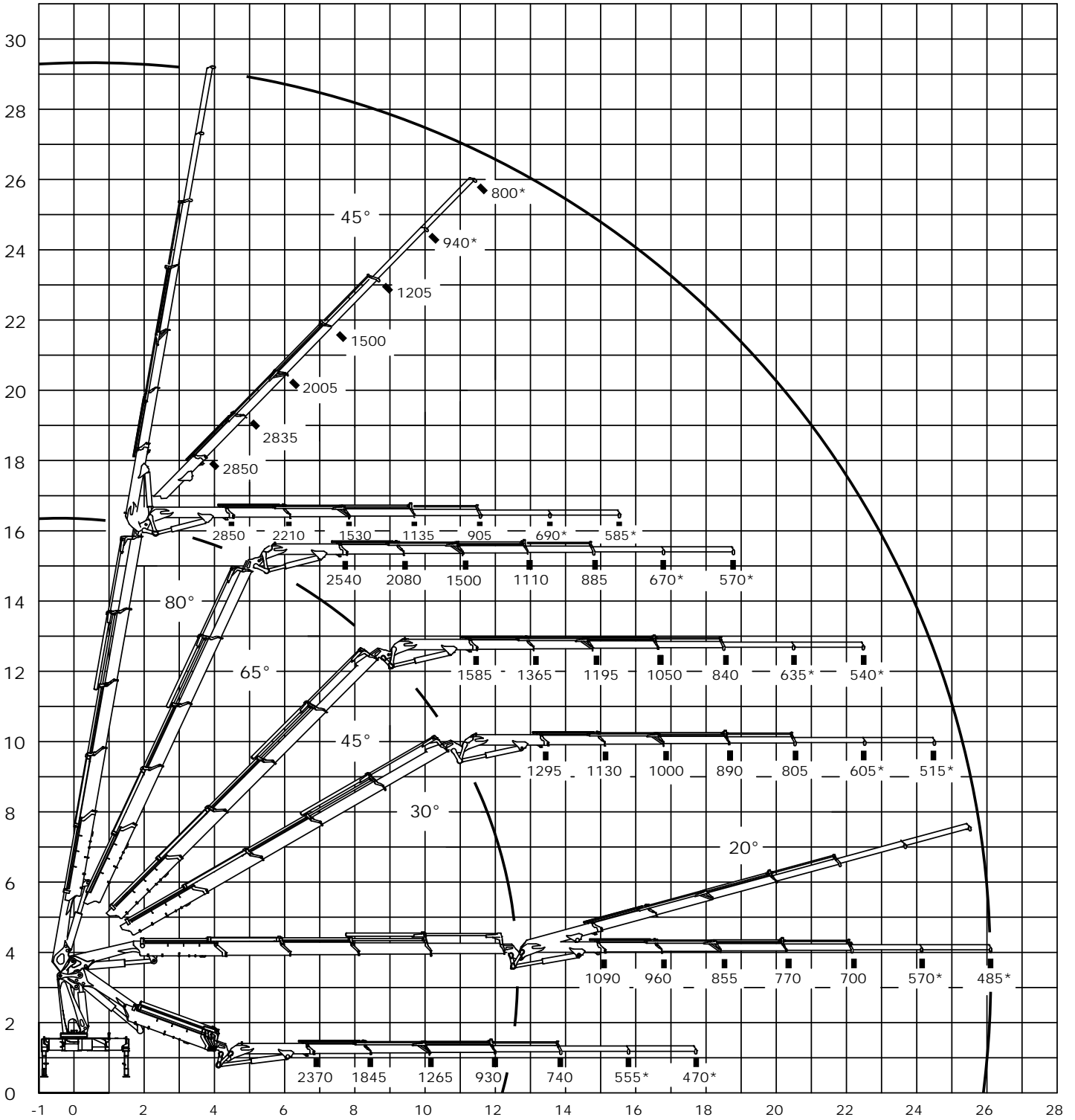
Technical Information 3220-K



Lifting capacity diagram, 3220-K4 with FJ1000 K4

Catalogue no.	Section
31 098	352
Date	Page
02-06-2014	1 (1)

32



* Med manuel forlænger

- power to lift. -

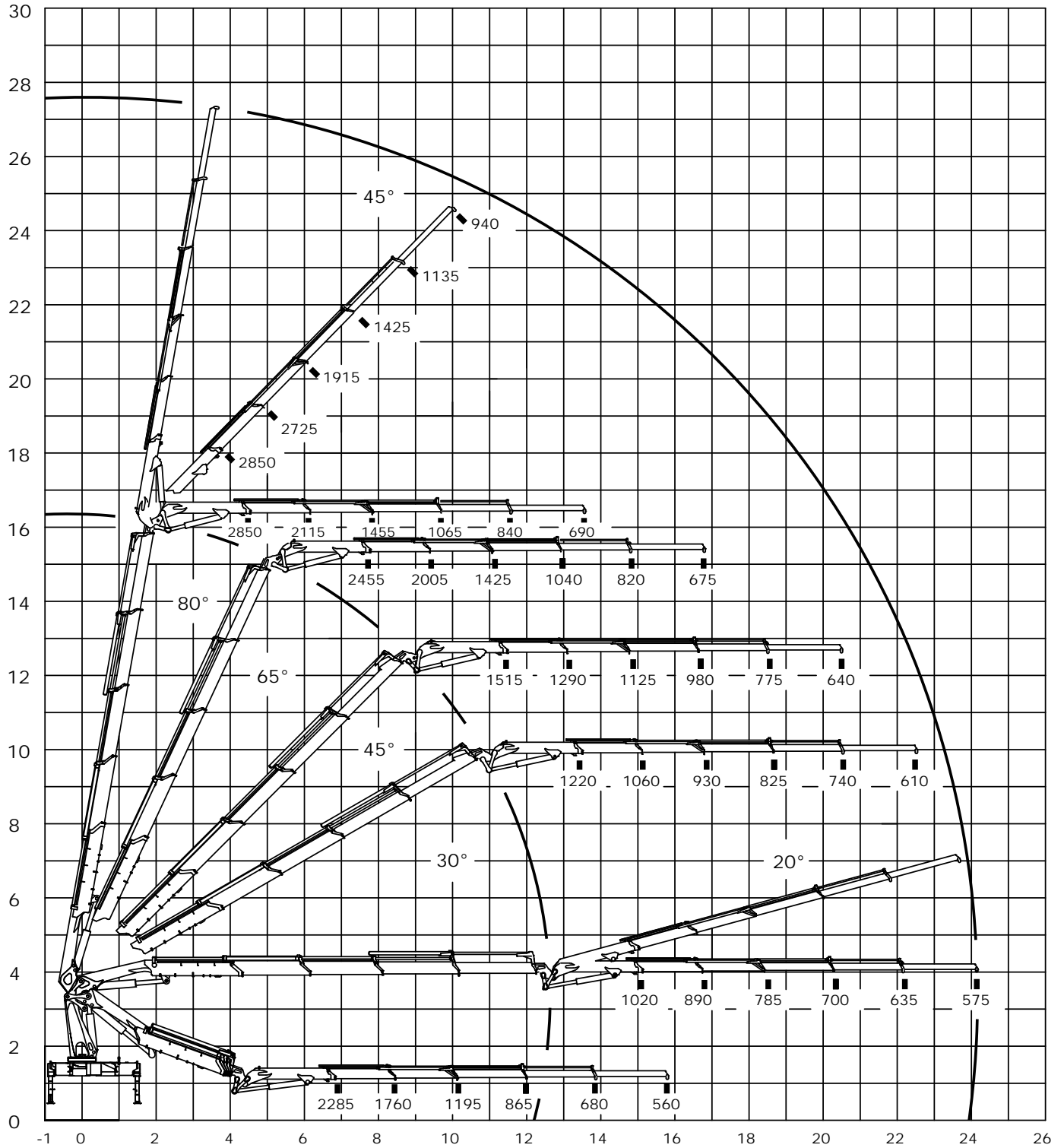


Technical Information 3220-K



Lifting capacity diagram, 3220-K4 with FJ1000 K5

Catalogue no.	Section
31 098	353
Date	Page
02-06-2014	1 (1)



- power to lift.

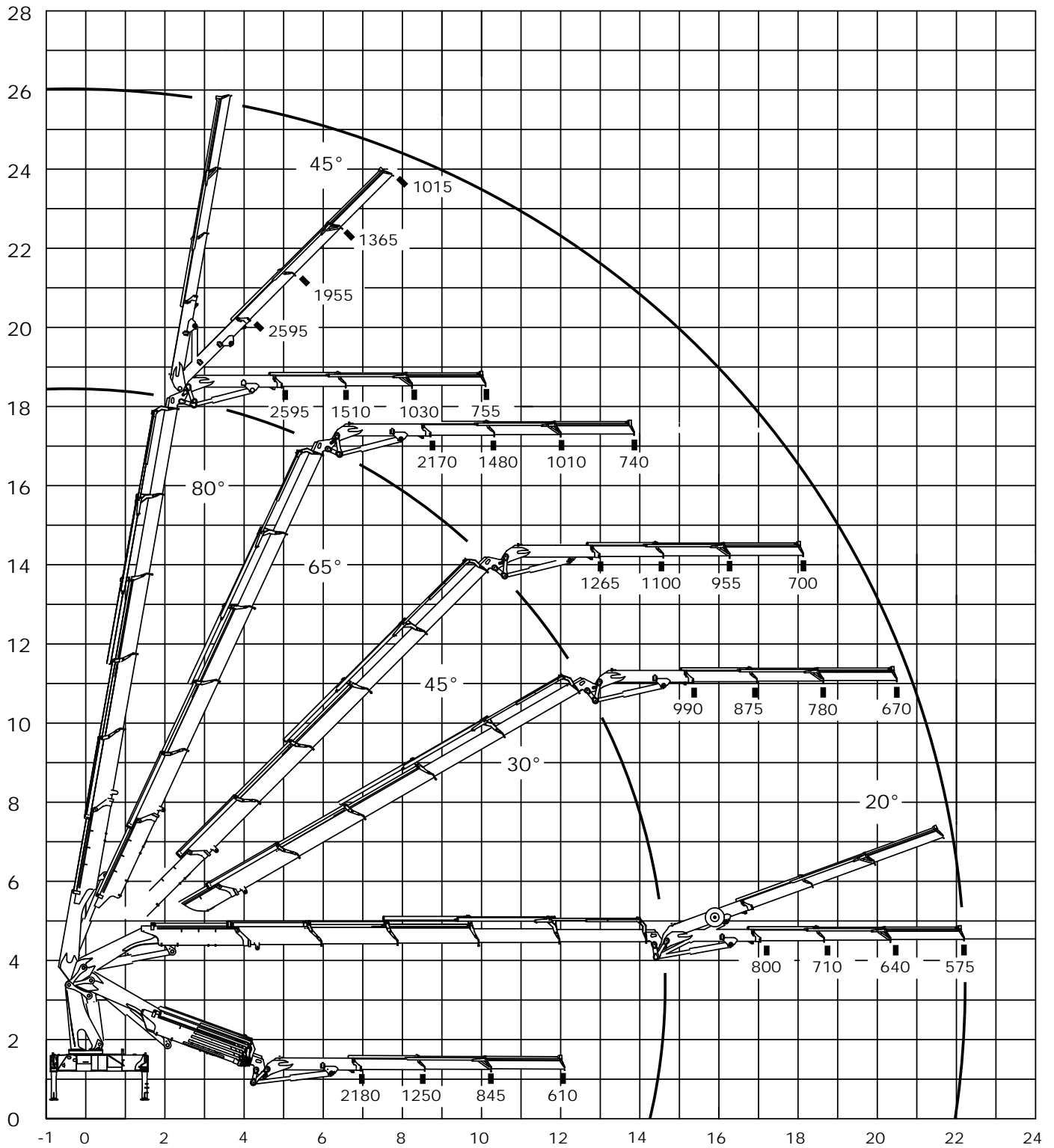


Technical Information 3220-K



Lifting capacity diagram, 3220-K5 with FJ1000 K3

Catalogue no.	Section
31 098	354
Date	Page
02-06-2014	1 (1)

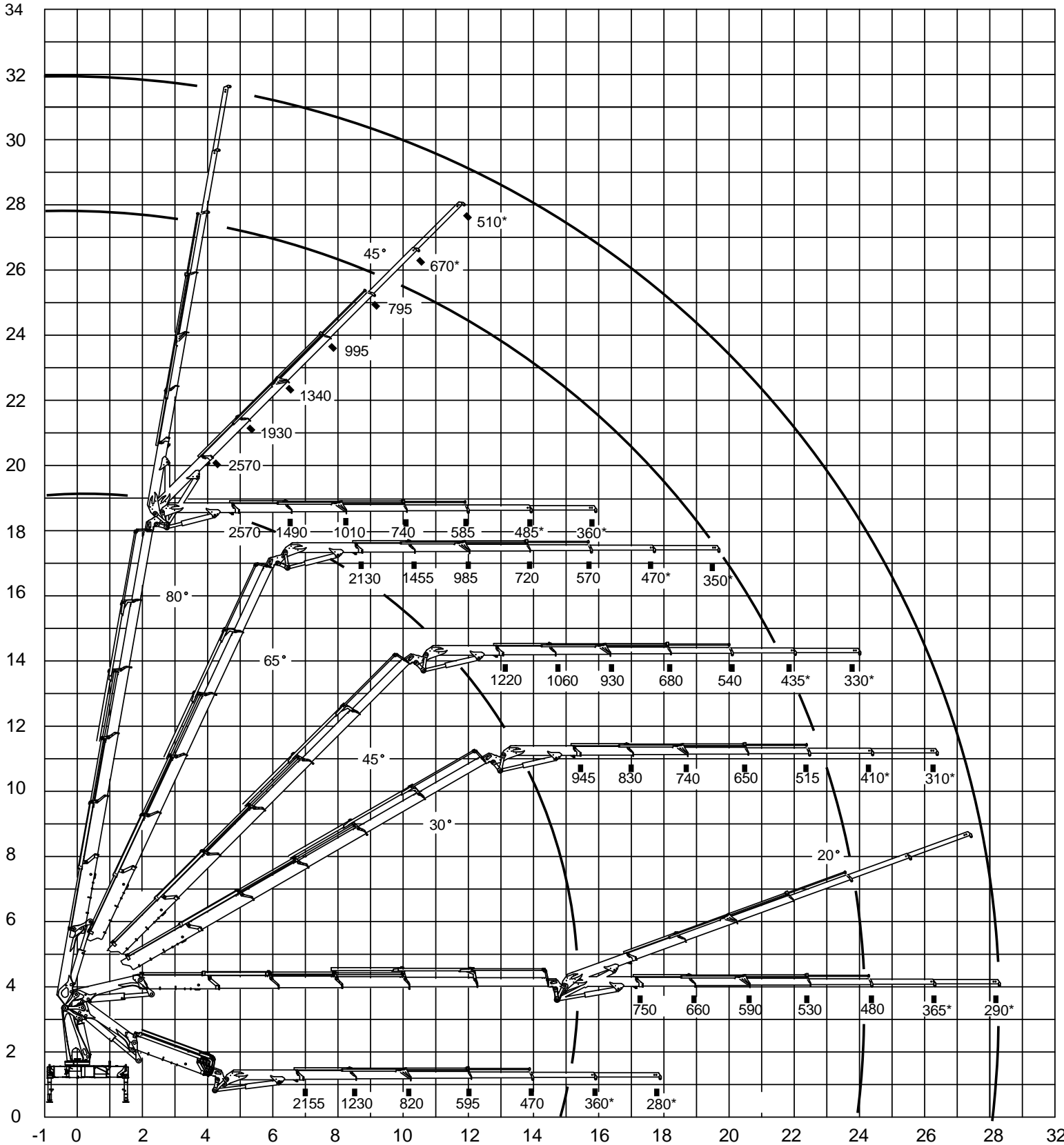


Technical Information 3220-K



Lifting capacity diagram, 3220-K5 with FJ1000 K4

Catalogue no.	Section
31 098	355
Date	Page
24-09-2012	1 (1)



* Med manuel forlænger

- power to lift. -

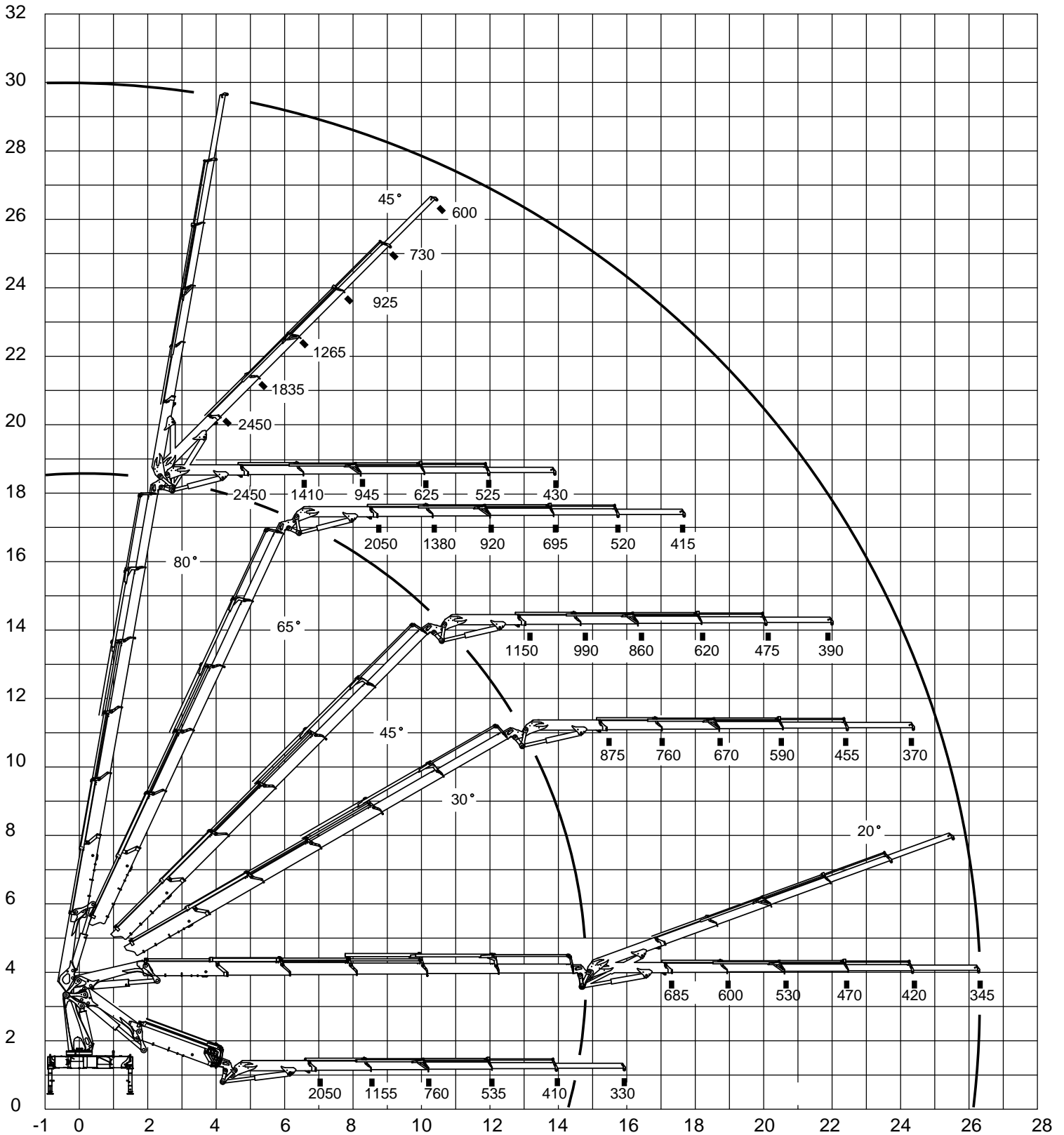


Technical Information 3220-K



Lifting capacity diagram, 3220-K5 with FJ1000 K5

Catalogue no.	Section
31 098	356
Date	Page
27-09-2012	1 (1)



- power to lift. -

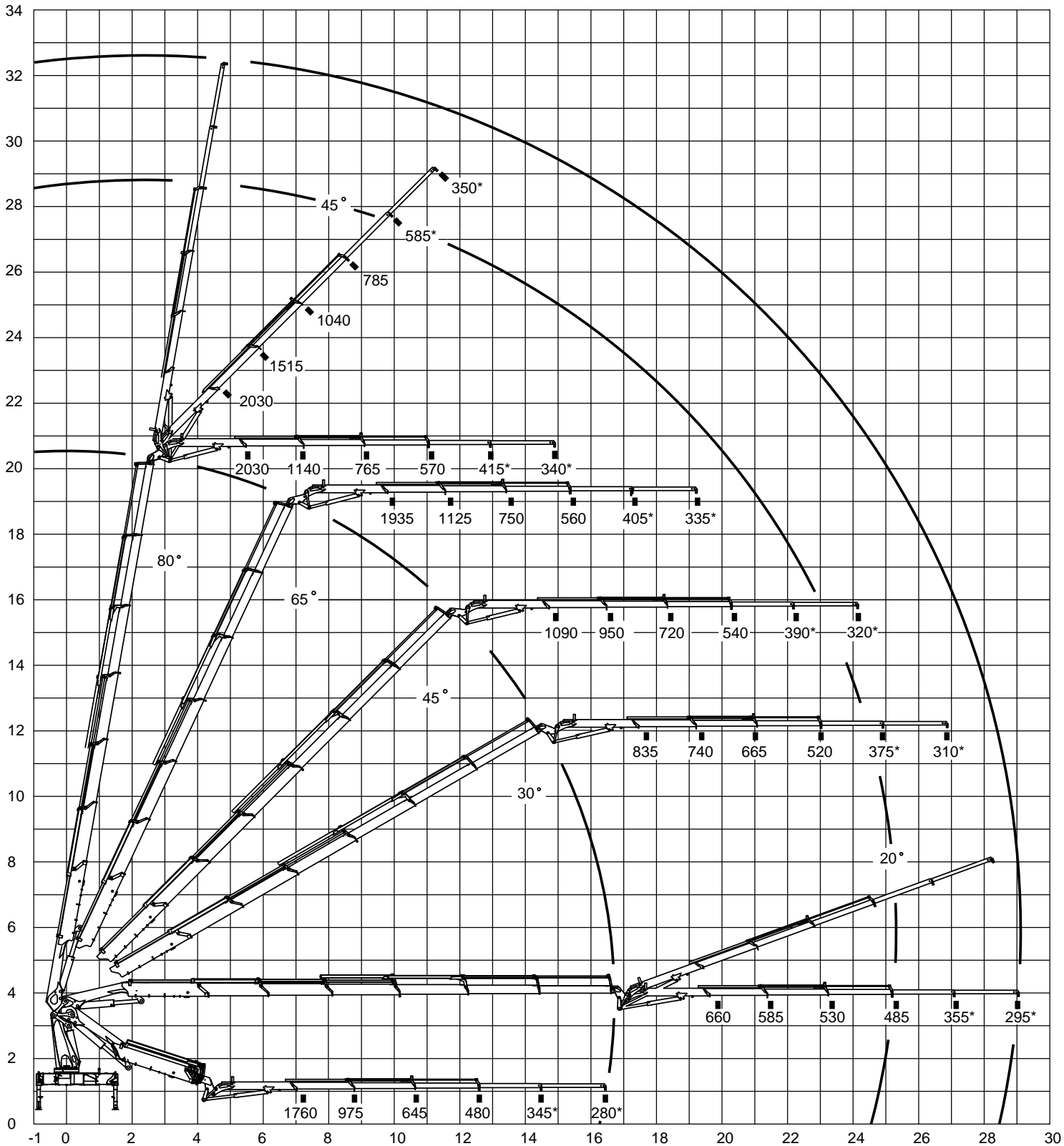


Technical Information 3220-K



Lifting capacity diagram, 3220-K6 with FJ600 K3

Catalogue no.	Section
31 098	357
Date	Page
01-10-2012	1 (1)



* Med manuel forlænger

- power to lift.

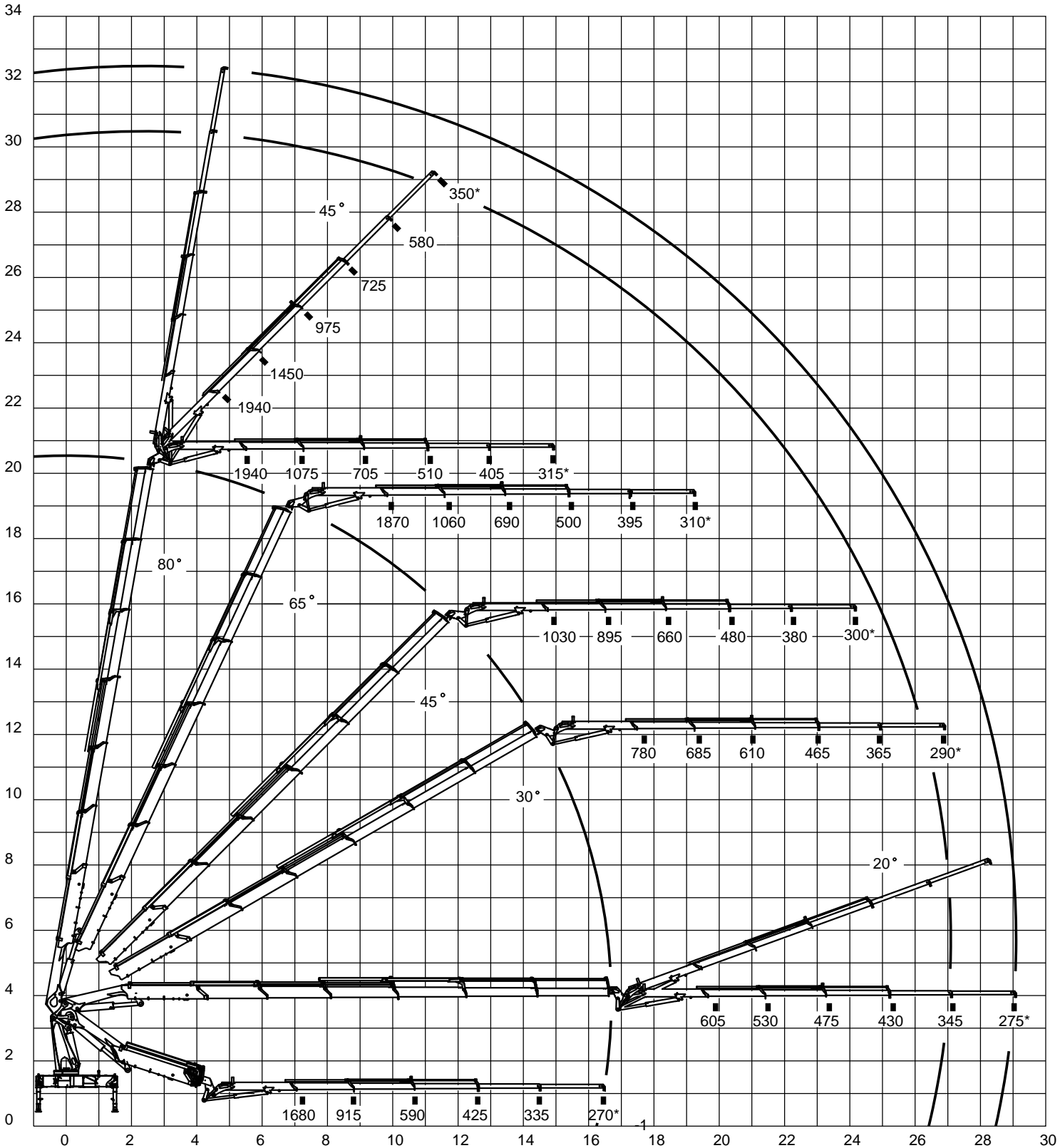


Technical Information 3220-K



Lifting capacity diagram, 3220-K6 with FJ600 K4

Catalogue no.	Section
31 098	358
Date	Page
02-10-2012	1 (1)



* Med manuel forlænger

- power to lift.

